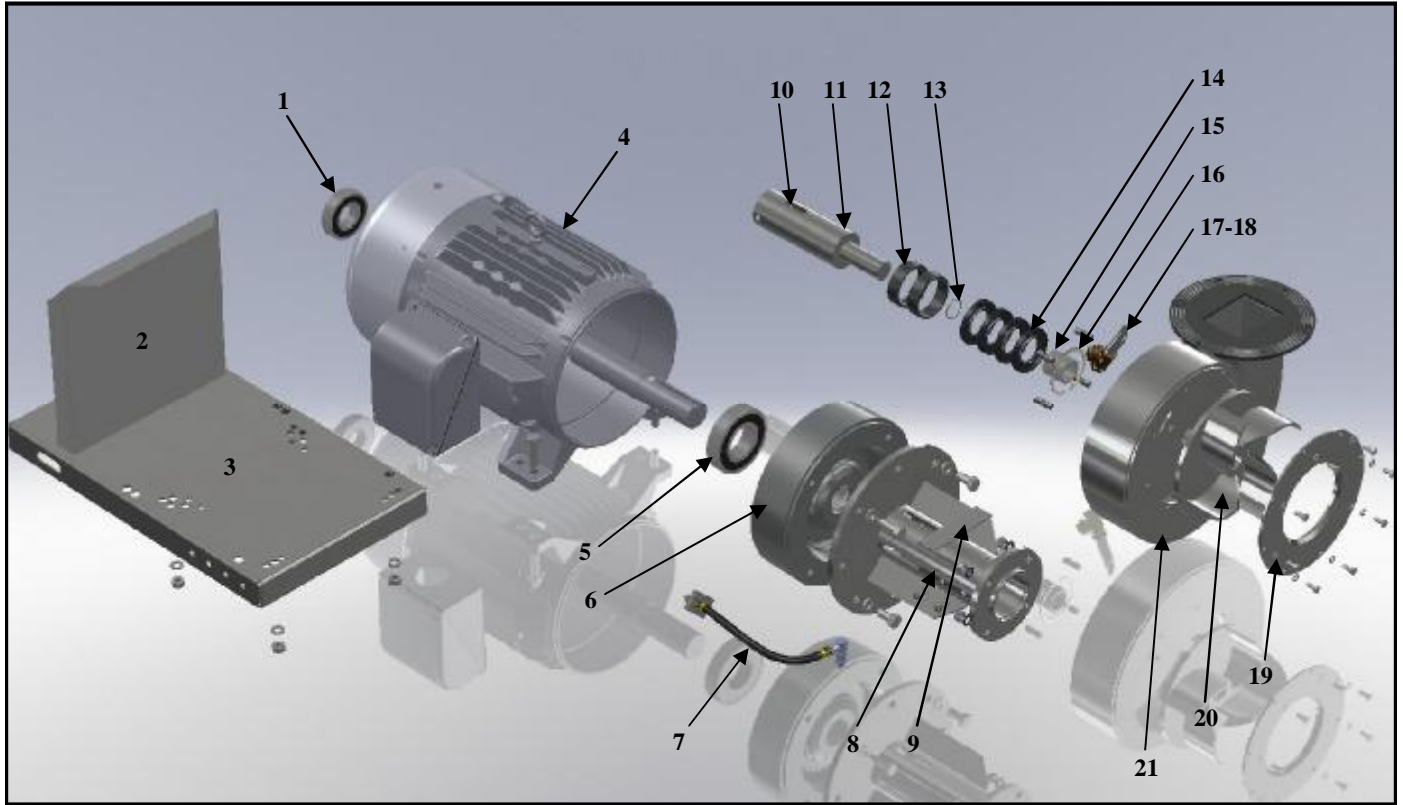


# Float Pump Parts List



**Note: Part numbers vary for different sizes. Please provide serial number when ordering to locate correct parts**

1. Rear Bearing
2. Rain shield
3. Motor mount
4. Motor
5. Front bearing
6. C-face
7. Grease line
8. Seal housing
9. Water level decal
10. Keyway
11. Shaft
12. Restrictor
13. O-ring - 52-01-029
14. Seal - 80-50-001
15. Seal bushing
16. Snap ring - 90-10-350
17. Air check - 63-03-000
18. Pipe nipple - 20-20-178
19. Intake plate
20. Impeller
21. Impeller housing