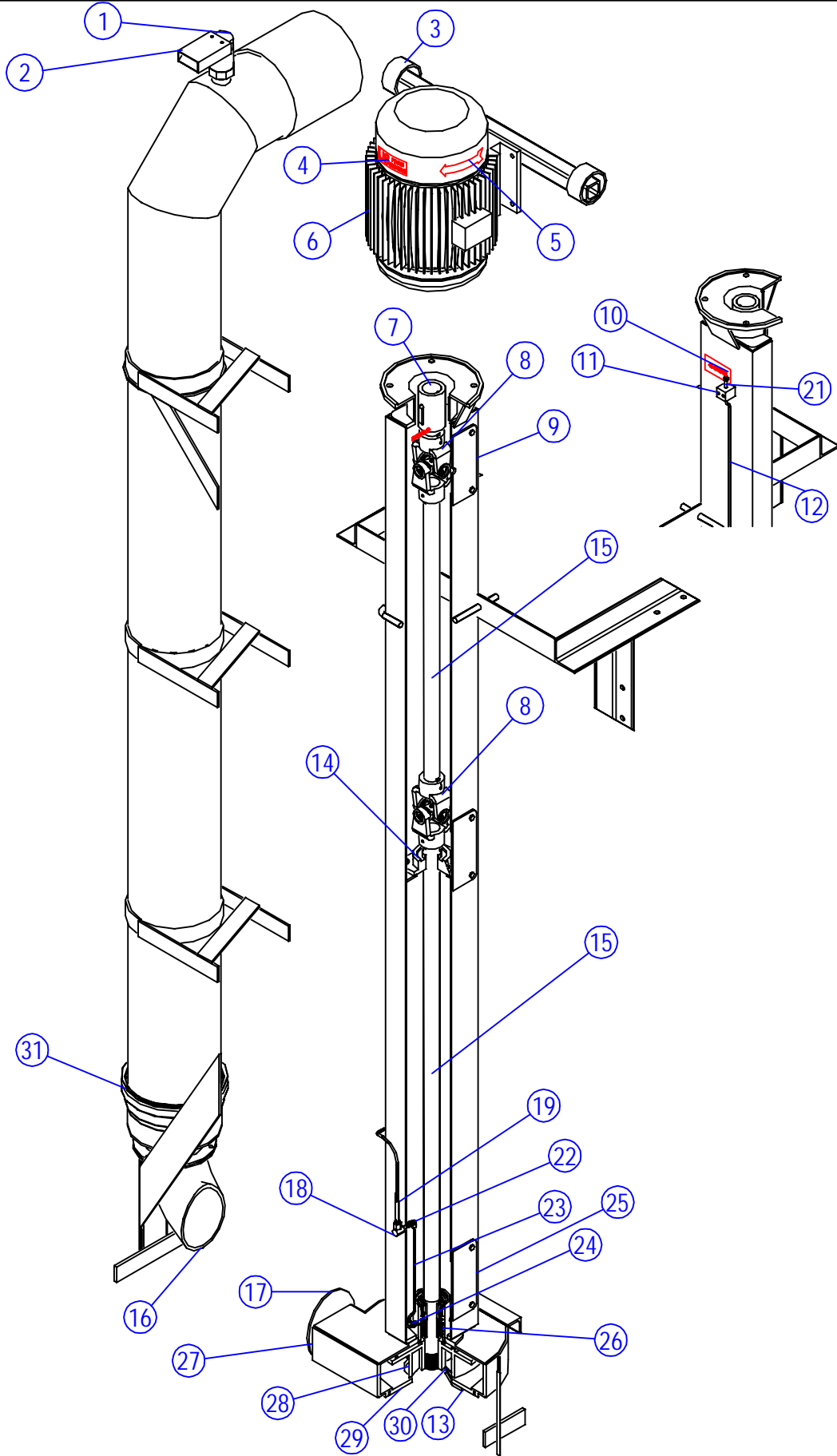


Direct Drive Chopper Pump



US FARM SYSTEMS 2955 SOUTH K ST. TULARE, CA. 93274 1-800-811-9462	DWN. BY 294-SS DATE 07-31-2009	DESC. BEAM WELD-ASSY, PPDD 2-SHAFT SCALE N.T.S.	REV# 000 DWG# 20-40-006-2
	G:\Manuals - Part Books\Part Books\PPDD Parts Book.dwg Service Parts Reference 8/5/2009 2:37:43 PM 294-SS		

Direct Drive Chopper Pump

Item	Part	Rev	Description
1	53-11-001	00	VENT, AIR, 2" (SEE NOTE)
2	20-30-007	00	DEFLECTOR WELD., AIR CHECK, 2" (SEE NOTE)
3	20-40-153	000	BAR WELD., LIFTING, BD/PP (SEE NOTE)
4	0018	00	DECAL, U.S. FARM, 2 X 6 7/8"1234567
5	001	00	DECAL, ROTATION LEFT 1 1/2"X6"
6	97-01-414	00	MOTOR, ELECTRIC, 15HP, 1200RPM (SEE NOTE)
7	20-30-037-11	00	SHAFT, MOTOR-TO-YOKE,DD 30/1800 STB (SEE NOTE)
8	20-40-097	00	YOKE WELD, 35 SER 1 3/4" X 1 3/4"
9	20-20-090-1	100	DOOR, INSPECTION, MODIFIED
10	004	00	DECAL, LUBE 45 SHOTS 100HRS 2X4 1/2
11	52-10-031	000	HOLDER, SINGLE, 1/4"
12	20-10-019	00	HOSE, GREASE, 1/4", H10404 (SEE NOTE)
13	20-20-099	00	SQUARE, HR, 3/8" X 2 1/2"
14	20-20-098-1	01	BEARING, FLANGE, RCJ 1 3/4, MACHINE
15	93-43-003	00	ROUND, TGP1045, 1 3/4" (SEE NOTE)
16	20-30-130	000	DISCHARGE WELD, PIT UNITS (SEE NOTE)
17	20-30-130-2	000	ADAPTER, DISCH, PITPUMPS OVAL BLANK (SEE NOTE)
18	62-30-003	00	SWIVEL, 1/4" MPT TO 1/4" FPT 90°
19	62-20-003	00	ENDS, HOSE, 1/4" X 1/4" MPT
21	62-20-006	000	ENDS, HOSE 1/4", 1/8" FPT
22	53-10-010	01	COUPLER, AIR, 3/8" AIR X 1/4"M 90°
23	53-13-002	00	LINE, AIR, 3/8"
24	53-10-012	01	COUPLER, AIR, 3/8"AIR X 1/8" MPT 90
25	91-20-018	00	COVER, INSPECTION
26	20-40-073-1	000	HOUSING ASSY, BRG/SEAL, PP-FAP, 5SL (SEE NOTE)
27	20-34-002-6	000	HOUSING WELD., 10" X 3" (SEE NOTE)
28	20-36-002-4	000	IMP WELD RH 10" X 3" 4-B 2" 12 (SEE NOTE)
29	20-37-002-02	000	PLATE, INTAKE, 10" X 5" (SEE NOTE)
30	20-20-100-2	00	KNIFE, INTAKE, 1" (SEE NOTE)
31	20-40-109-6	100	ADPT. WELD., 9" FLG. X 10" F/C (SEE NOTE)

Serial Number required when ordering parts.

NOTE: This part/size/length varies per unit.